



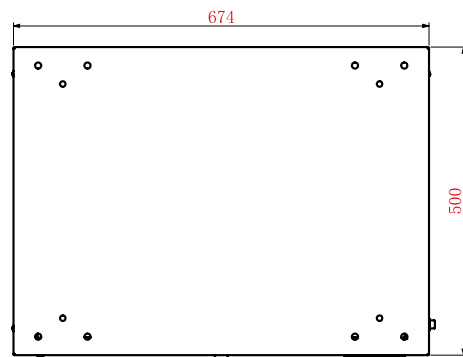
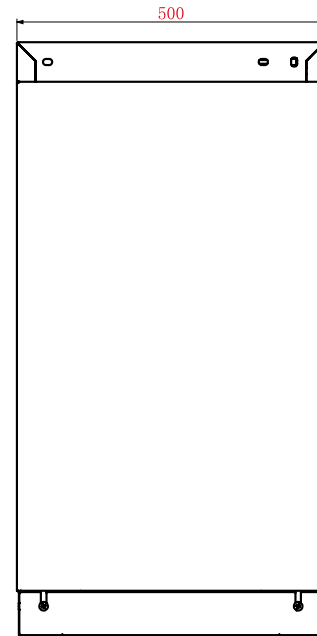
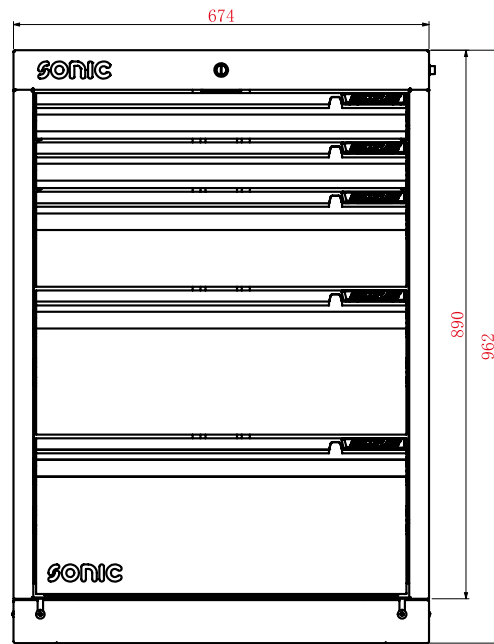
#47951

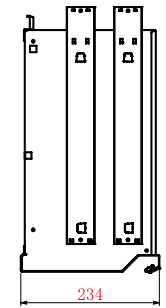
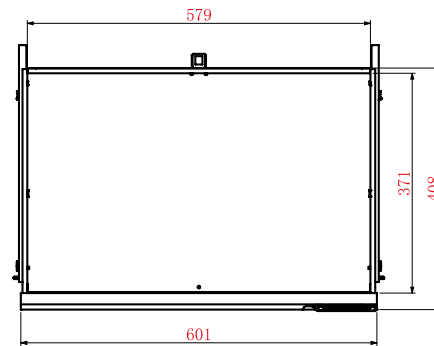
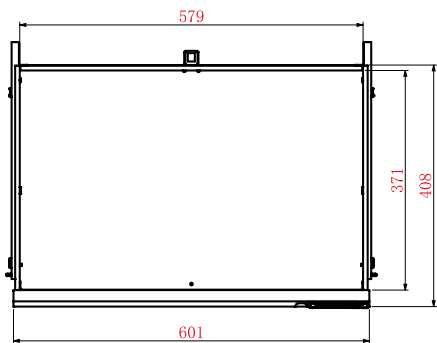
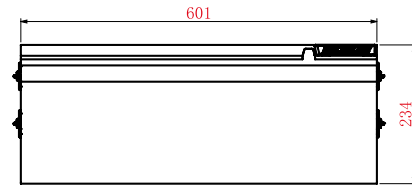
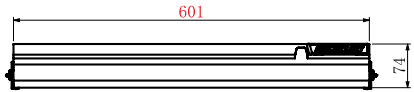
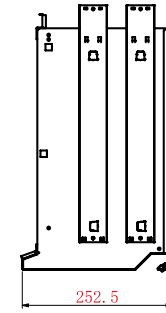
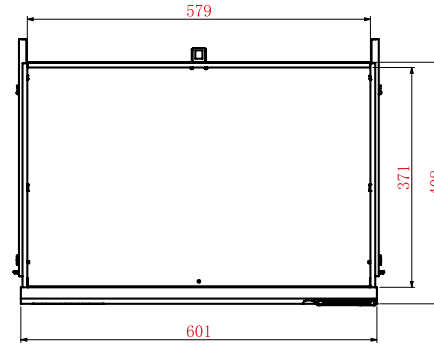
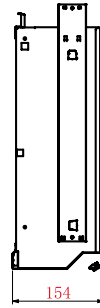
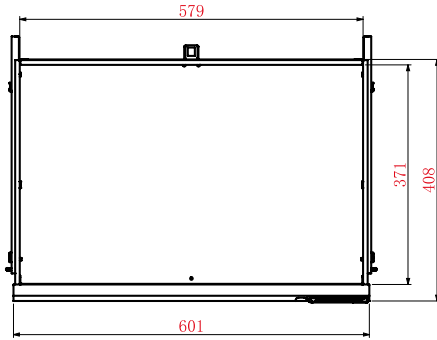
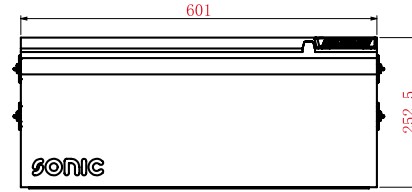
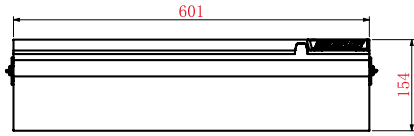
NEXT MSS drawer cabinet with 5 drawers 674mm

- > NEXT MSS 5-drawer base cabinet – 674(w) x 500(d) x 962(h) mm.
- > Equipped with 5 robust drawers - 2 standard (62 mm inside height), 1 deep (142 mm inside height) and 2 extra deep (220 mm inside height) - running on 45 kg slides for smooth access and secure closure, even under heavy loads.
- > Built to last: Created from durable steel with a protective powder-coated finish for long-lasting performance.
- > Fully compatible with Sonic Foam System (sizes M and S) for the most efficient tool organization and workflow.
- > Central key locking system for secure storage.
- > Dual kick-plates ensure a snug, seamless appearance—compensating for uneven flooring.
- > Adjust cabinet height easily for perfect alignment.
- > Finished in matte RAL 9004 body with RAL 7016 drawers for a clean, professional look.
- > 67,5kg net weight.
- > 10-year warranty included.

Compatible with
Sonic Foam System







GET MORE
DONE