

The ERGO Door Lift is a manoeuvrable trolley to enable a single individual to safely remove or install a door from a car or light commercial vehicle. Designed to help improve day-to-day workshop conditions, it saves time and reduces the effort required to handle heavy doors weighing up to 50 kg.

Adjustable retaining bar with **2 quick-release latches** to adapt precisely to the profile of the door (max. 30.5 cm).

**Hand-cranked winch** for accurate door alignment on the hinges.

**Handle** for manoeuvring the unit around the workshop.

**Tool holder** (spanners, screwdrivers, etc.)

**2 castors with brakes** to keep the unit in position as close to the vehicle as possible.



**Built-in storage device** for retaining bar.

**Compatible with door heights of up to 206 cm.**

**Rubber support** to keep the door securely in place and prevent damage to the paintwork.

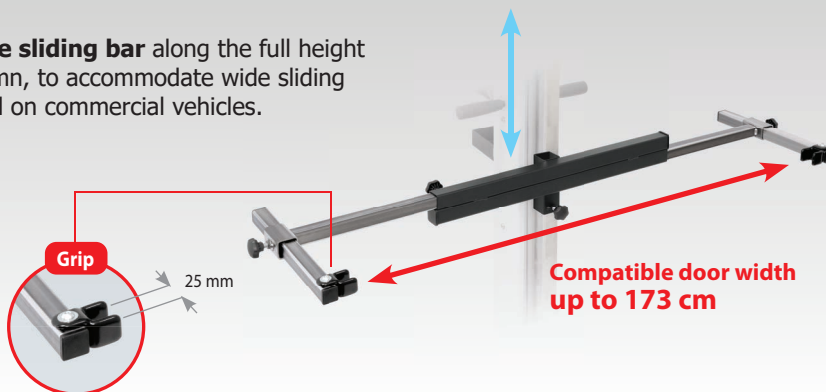
**Easy to manoeuvre** with 4 castor wheels.



MADE IN FRANCE

## WIDE DOOR OPTION (082700)

**Extendable sliding bar** along the full height of the column, to accommodate wide sliding doors found on commercial vehicles.



**Compatible door width up to 173 cm**

