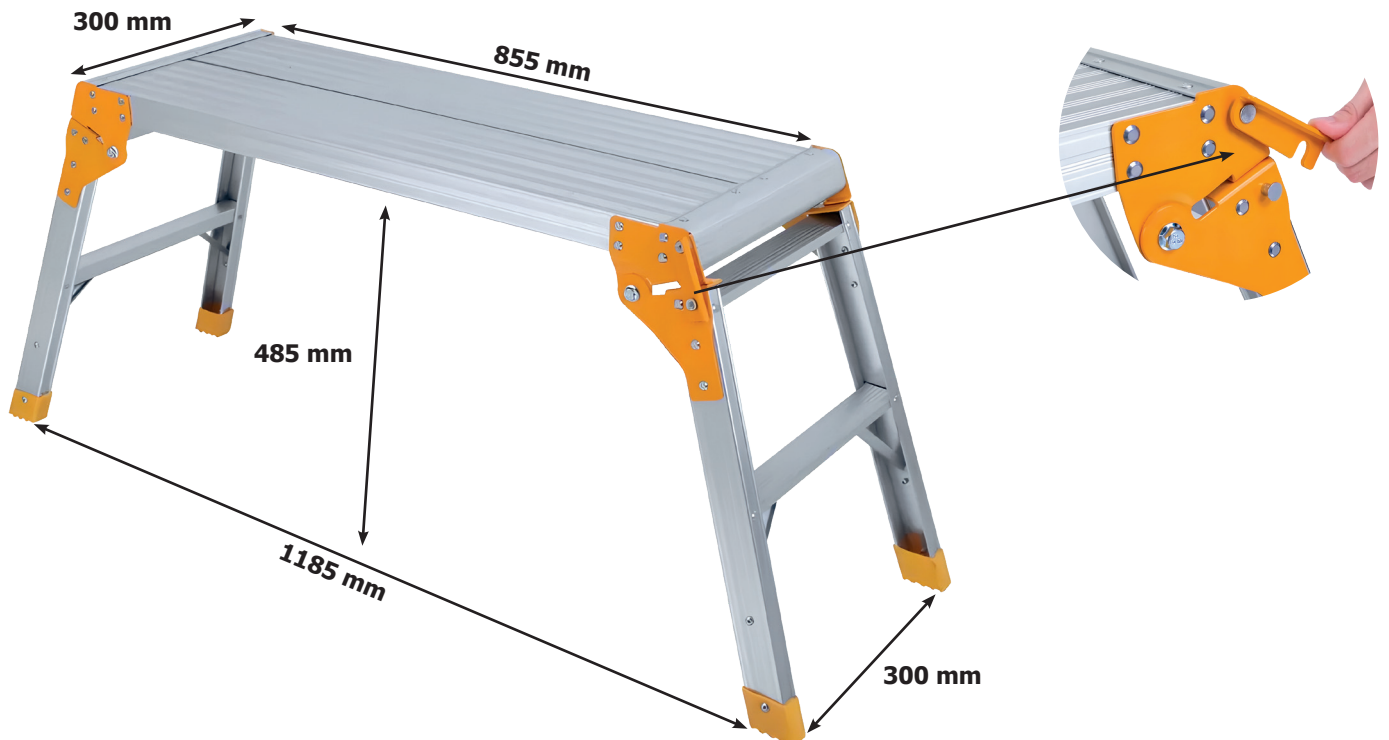


This folding step is ideal for a wide range of bodywork repair jobs. It can support up to 150 kg. Compact when folded, it's easy to transport and store.

PRACTICAL AND FUNCTIONAL**SOLID AND ERGONOMIC**

Foldable format for easy transport and storage.

- ✓ High-strength aluminium step with reinforced plastic parts.
- ✓ It weighs 7.3 kg and has a load capacity of 150 kg.
- ✓ Easy to clean thanks to anodised aluminium parts.
- ✓ Rubber feet for extra grip and durability.

TECHNICAL DATA

- Folded position : 890 x 380 x 160 mm ;
- Unfolded position : 1185 x 380 x 485 mm ;
 - Platform length : 855 mm ;
 - Platform width : 300 mm ;
 - Height : 485 mm .