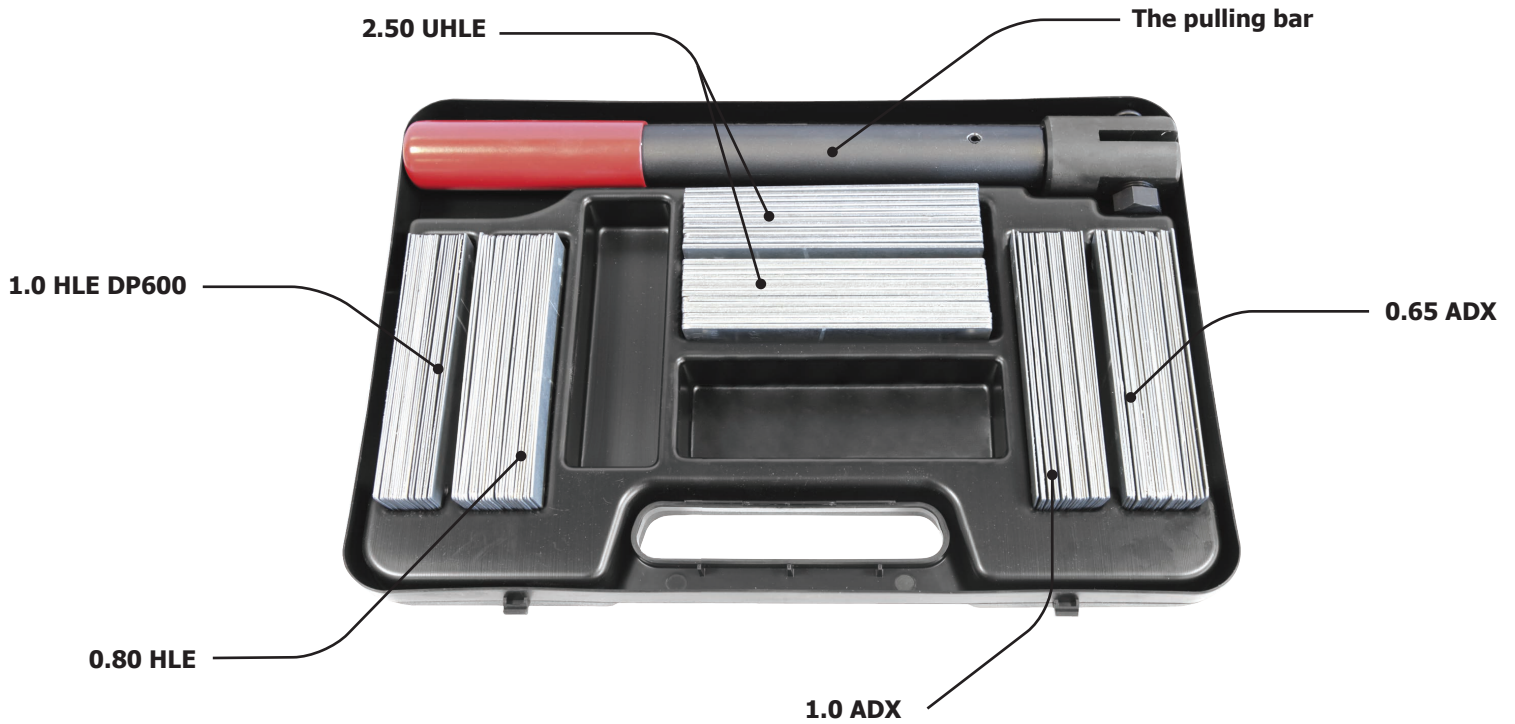


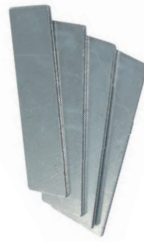
**Test your welding spots before performing repair, for optimum welding quality.**

This complete set gives you the possibility to make a destructive test on a sample of steel representative of the part to weld on the car body.



## LIST OF STEEL TEST SAMPLES

- Traction bar
- Mild steel / Acier doux 0.65 (x25) + 1.0 (x25)
- HSLA 360 steel - HLE 0.8 (x25)
- DP600 steel - THLE / UHLE 1.0 (x25)
- FB560 steel - THLE / UHLE 2.5 (x25)



**VALIDATED BY RENAULT**  
Réf. 77 11 381 779

**EXTRA STEEL SAMPLES**  
Réf : 77 11 381 800



kg

3,7 kg



cm

52 x 38 x 14